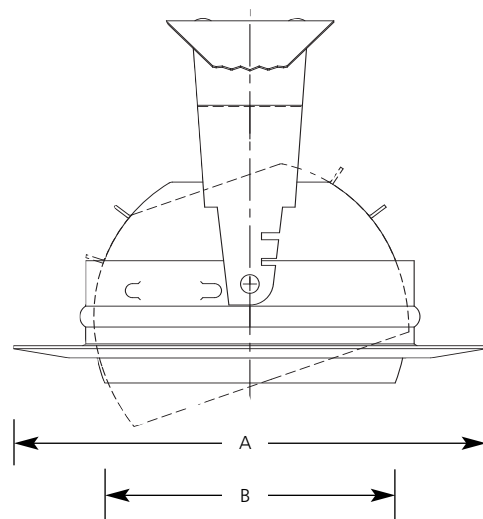
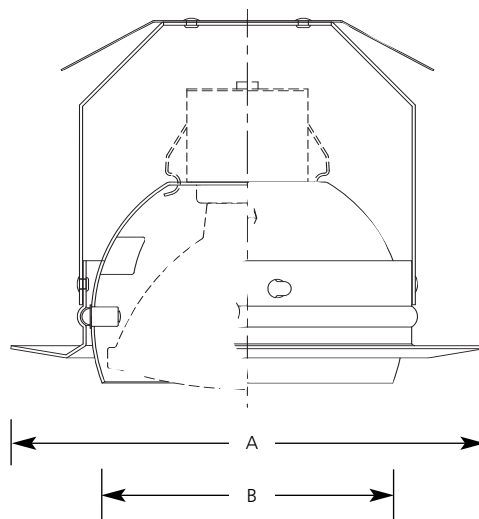


Type \_\_\_\_\_  
 -20 -28 -36  
 P8176

Catalog No.	Finish			Dimensions (Inches)	
	Antique Bronze	White	Chestnut	A	B
P8176	-20	-28	-36	6-3/8	3-13/16



**Lamp Wattage**

Housing	IC	Non-IC
P85-AT	75PAR30SN	75PAR30SN
P85-TG	N/A	75PAR30SN
P84-AT	75PAR30SN	75PAR30SN
P184-TG	75PAR30SN	75PAR30SN
P85-FB	N/A	75PAR30SN
P185-TG	N/A	75PAR30SN

**Specifications:**

Flange

- White powder coated flange on white (-28)
- Antique bronze (-20), and chestnut (-36) have unpainted flanges that match the baffle finish
- Covers irregular ceiling openings
- No light leaks around trim flange

Trim

- Designed for 75w PAR30SN lamps
- Positive upward spring action forces trim to fit snugly against ceiling
- Socket mounts directly to top of ball for consistent lamp position
- Ball tilts 30 degrees and rotates 358 degrees

Trim (con't.)

- Built-in retention spring
- Steel construction
- Eyeball finish matches trim finish

Options

- White (-28) and chestnut (-36) are painted finishes
- Antique bronze (-20) is a plated finish

Labels

- UL-CUL damp location listed

Photometrics

- Refer to PAR30 Bare Lamp Application Data